



Signature Mirror Cabinet

LED Illuminated Mirrored Cabinet

REFLECTIVE LIGHTING

DESCRIPTION

Bring style and the convenience of elegant storage to any environment with our Signature LED Illuminated Mirrored Cabinet offering an edge to edge glow around the perimeter. Inside you will find adjustable glass shelves, and a mirror on reverse side of the door for ease of use when the cabinet is open. With our optional simple one-touch dimming system you can not only set your preferred light level, but you have the flexibility of changing the color temperature from a cool 5,000K task lighting option to a warm, sunny 3,000K ambient glow. As an added bonus, all mirrors can be upgraded with an integrated night light, Bluetooth speaker, built in interior outlets, an interior LED light, and soft-closed hinges giving you even more user-friendly options.

APPLICATION

Our commercial grade mirror solutions are perfect for multi-family, hotels, and make-up studios as well as make a beautiful upgrade for any bathroom remodel.

STANDARD FEATURES

- 5mm lead-free, copper-free, corrosion-resistant glass
- Inside LED light with door switch sensor
- Mirrors on both sides of door for convenient use
- Two or three adjustable 6mm thickness tempered glass shelves depending on cabinet height
- Forward-facing, UV Free task lighting
- IP44 Rating, suitable for damp locations
- Fingerprint free frosted design aesthetic for added elegance
- Most common size is 24" x 32", however custom sizes and frosting options are available
- Environmentally sustainable and energy efficient LED technology
- Easy installation; surface or recessed mounting options
- 5-year limited warranty

LIGHTING SPECIFICATIONS

- Natural-looking LED light color
- Dimmable with 0-10V, TRIAC, reverse/forward phase standard
- CRI: 90+
- Multi-CCT available: 2700K-5000K
- 80-90 LPW initial lumens
- 120 –277 VAC voltage sensing input
- Calculated L70-hour 54,000 hour LED lifespan

SAFETY SPECIFICATIONS

- Entire assembly meets UL standards
- IP44 rating for damp locations
- Safety filmed mirror to protect against glass shatter



Catalog Number:	Type:
Project/Job Name:	
Prepared By:	Date:

Fully Customizable



AVAILABLE OPTIONS

- Custom mirror sizes available
- Integrated one-touch dimming control for ambient lighting
- Motion and Touch sensor on/off switch capabilities for ease of use
- Anti-Fog technology enhancements
- Lighted circular magnification/makeup mirror function
- Integrated Night Light, and/or Bluetooth Speaker
- Add an interior cabinet light or interior electric outlet for added convenience
- 115 Degree wide open Soft Close Hinges



Positioned On The Mirror Edge



Magnification Function Added



Rounded Corner Option



Magnification & Rounded Corners



Anti Microbial



Touch Sensor Switch



Motion Sensor Switch



Anti-Fog System



Rounded Edge Corner



Interior Light



Night Light



Integrated Dimming



Adjustable CCT



Bluetooth Speaker



Circular Magnification



Interior Outlet

Specifications are subject to change without notice. Installation must be performed in accordance with Reflective Lighting installation instructions.

118 E 3RD ST SUITE K | PERRYSBURG, OH 43551 | 419-908-2759 | WEBSITE: REFLECTIVE.LIGHTING



Signature Mirror Cabinet

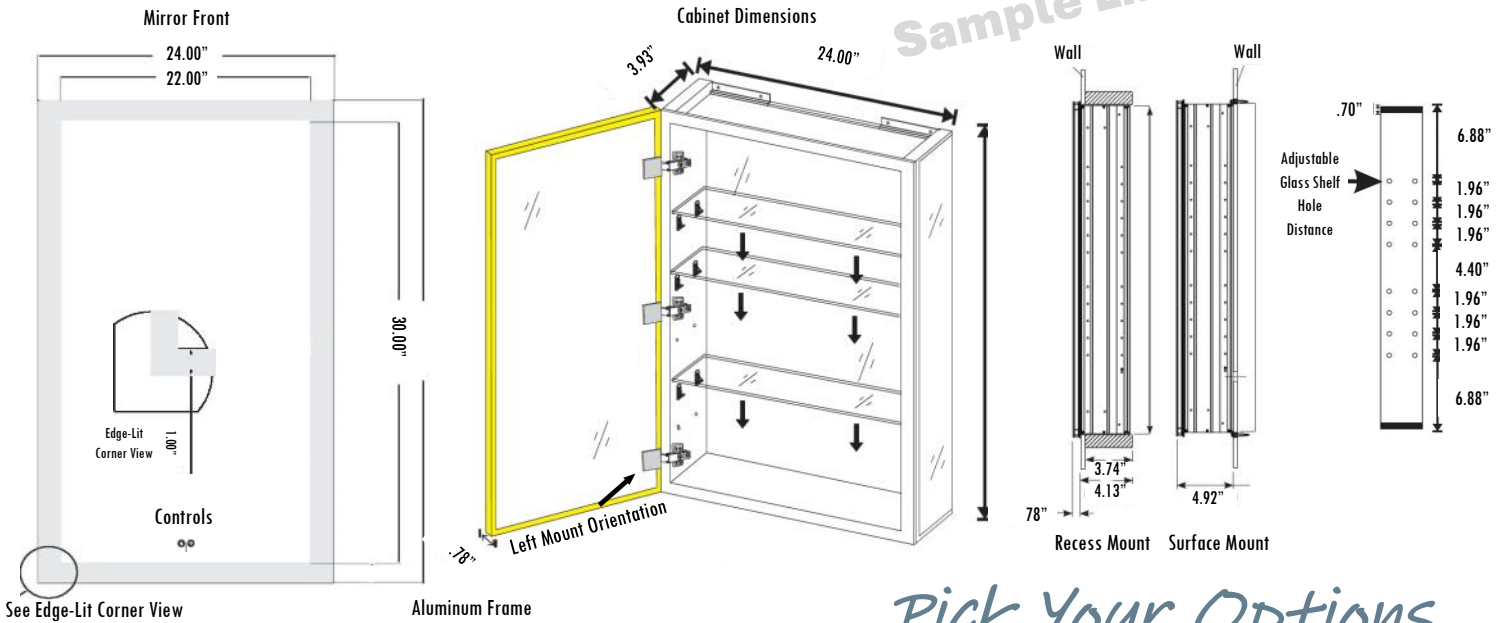
LED Illuminated Mirrored Cabinet

REFLECTIVE LIGHTING

INSTALLATION SPECIFICATIONS

- 24" whip provided
- Surface or recessed mount available
- Controlled by touch button on fixture or motion sensor or wall switch with or without dimming.

Sample Line Drawings



Pick Your Options

EXAMPLE: RLSMC-L-48-32-AC-TC-T-AF-BT-IL-EO-SCH

ORDERING INFORMATION

Lighted Mirror	Door Orientation	Height	Width	Color Temp	Illumination Type	Controls	Control Location	Options (List ALL that apply)
RLSMC	L-Hinges mounted on left side front face for a right to left opening	XX Write in Height	XX Write in Width	27-2700K	BL -Backlight	TC -Touch Controls (With last state memory)	T - Top Center ³	AF -Anti Fog (heated) AM -Anti Microbial
	R-Hinges mounted on right side front face for a left to right opening			30-3000K		MC -Motion Controls	B - Bottom Center ³	MB3 -Magnification Built In 3x ⁴ MB5 -Magnification Built In 5x ⁴
	2D -Double Door			35-3500K		NC -No Controls ²	L - Left Center ³	BT -Bluetooth Speaker
				40-4000K			R - Left Center ³	NL -Night Light IL -Interior Cabinet Light
				50-5000K				EO -Built In Electrical Outlet
				AC -Adjustable ¹ Pick 3 CCT options				SCH -Soft Closed Hinges
								RC -Rounded Edge Corners
				¹ Touch Controls (TC) Required		² 24" Bare wire included; using other wall controller	³ Availability based on illumination style selected	⁴ Illuminated 3500K frosted edge ring

Specifications are subject to change without notice. Installation must be performed in accordance with Reflective Lighting installation instructions.

118 E 3RD ST SUITE K | PERRYSBURG, OH 43551 | 419-908-2759 | WEBSITE: REFLECTIVE.LIGHTING